

Архангельск (8182)63-90-72
Астана (7172)727-132
Астрахань (8512)99-46-04
Барнаул (3852)73-04-60
Белгород (4722)40-23-64
Брянск (4832)59-03-52
Владивосток (423)249-28-31
Волгоград (844)278-03-48
Вологда (8172)26-41-59
Воронеж (473)204-51-73
Екатеринбург (343)384-55-89
Иваново (4932)77-34-06

Ижевск (3412)26-03-58
Иркутск (395)279-98-46
Казань (843)206-01-48
Калининград (4012)72-03-81
Калуга (4842)92-23-67
Кемерово (3842)65-04-62
Киров (8332)68-02-04
Краснодар (861)203-40-90
Красноярск (391)204-63-61
Курск (4712)77-13-04
Липецк (4742)52-20-81
Киргизия (996)312-96-26-47

Магнитогорск (3519)55-03-13
Москва (495)268-04-70
Мурманск (8152)59-64-93
Набережные Челны (8552)20-53-41
Нижний Новгород (831)429-08-12
Новокузнецк (3843)20-46-81
Новосибирск (383)227-86-73
Омск (3812)21-46-40
Орел (4862)44-53-42
Оренбург (3532)37-68-04
Пенза (8412)22-31-16
Россия (495)268-04-70

Пермь (342)205-81-47
Ростов-на-Дону (863)308-18-15
Рязань (4912)46-61-64
Самара (846)206-03-16
Санкт-Петербург (812)309-46-40
Саратов (845)249-38-78
Севастополь (8692)22-31-93
Симферополь (3652)67-13-56
Смоленск (4812)29-41-54
Сочи (862)225-72-31
Ставрополь (8652)20-65-13
Казахстан (772)734-952-31

Сургут (3462)77-98-35
Тверь (4822)63-31-35
Томск (3822)98-41-53
Тула (4872)74-02-29
Тюмень (3452)66-21-18
Ульяновск (8422)24-23-59
Уфа (347)229-48-12
Хабаровск (4212)92-98-04
Челябинск (351)202-03-61
Череповец (8202)49-02-64
Ярославль (4852)69-52-93

<https://bushnell.nt-rt.ru> || bhv@nt-rt.ru

Зрительная труба Engage DX



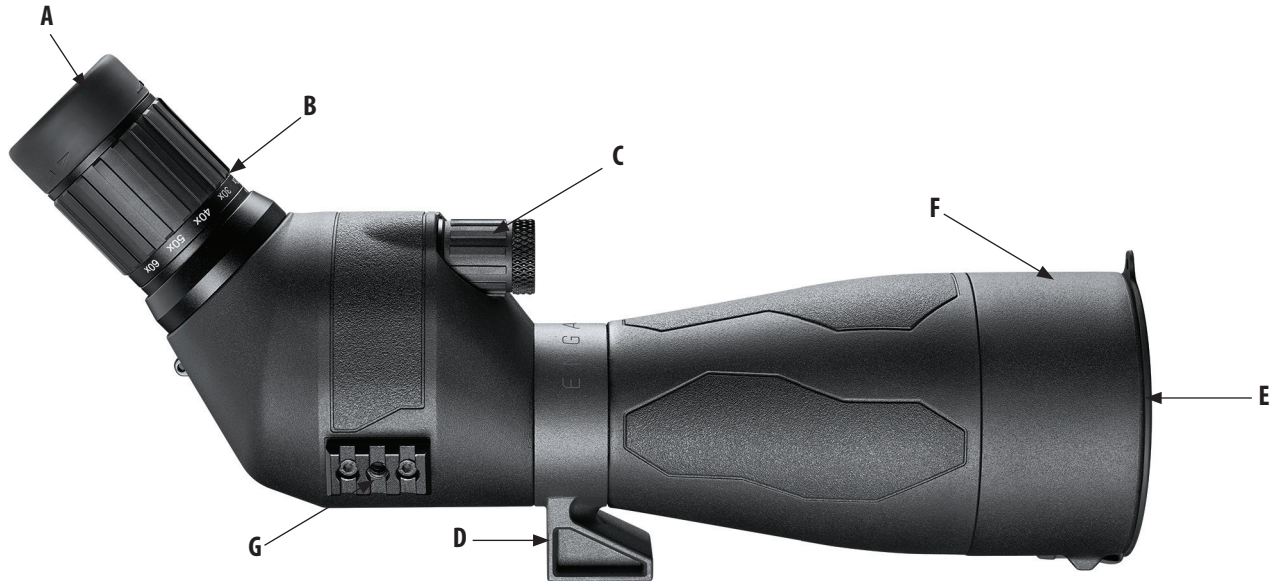
E N G A G E

SPOTTING SCOPE OWNER'S GUIDE

Thank you for purchasing your new Bushnell® Engage™ Spotting Scope.

This manual will help you optimize your viewing experience by explaining how to utilize the scope's controls and features, and how to care for it. Read the instructions carefully before using your scope.

⚠ DANGER NEVER LOOK DIRECTLY AT THE SUN WITH YOUR SPOTTING SCOPE, AS IT MAY CAUSE SERIOUS DAMAGE TO YOUR EYES



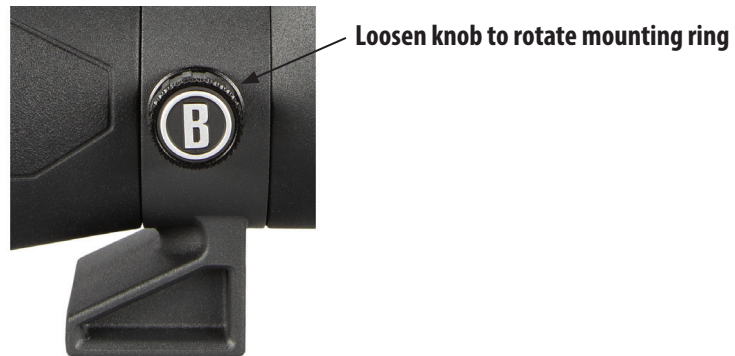
PARTS GUIDE

A	Twist-Up Eyecup	D	Tripod Mounting Ring/Base
B	Zoom Ring	E	Objective Lens
C	Focus Knob	F	Sliding Sunshade
		G	Picatinny Accessory Rails

TRIPOD MOUNTING

Your Engage spotting scope should be mounted on a high quality, stable tripod (*not included*) to ensure safe operation and a vibration-free viewing experience. Attach the scope's mounting base to the screw on the tripod's platform, so that the scope is held securely in place and provides a level view (*adjust tripod as needed*). The tripod mounting base can be rotated by loosening the small "B" logo knob on one side, above the mount (*see photo below*).

(D) Tripod Mounting Ring/Base

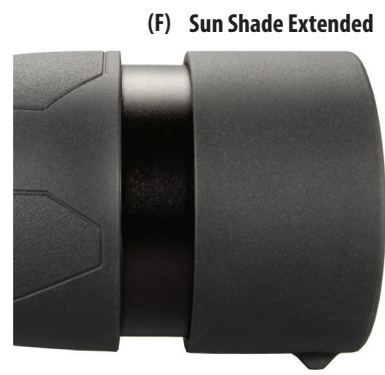


USING THE ZOOM EYEPiece AND FOCUSING

Rotate the zoom ring (**B**) on the eyepiece to change magnifying power from low to high. Lower power settings will provide a brighter image with a wider field of view; higher powers allow observing smaller details on more distant subjects. **Note: the zoom eyepiece is not interchangeable. Do not attempt to remove it from the scope.** Turn the focus knob in either direction until your subject appears as sharp as possible. To reduce the need to readjust focus when zooming, set the zoom to its highest power and focus on your subject. When you zoom back down to lower powers, it will stay in focus.



(A) Eyecup Extended



(F) Sun Shade Extended

USING THE TWIST-UP EYECUP AND SLIDING SUN SHADE

If you are not wearing glasses, twist the rubber eyecup **(A)** counter-clockwise to extend it. If you experience glare or lens flare due to the angle and direction of the sun relative to the objective lens, pull the sun shade **(F)** out to extend it.

PICATINNY ACCESSORY RAILS

Your Engage spotting scope provides two accessory rails which provide a solid, secure mount for any standard Picatinny compatible accessory device such as a flashlight or laser sight.

WATERPROOF / FOGPROOF

Getting caught in a heavy downpour of rain with your spotter won't be a problem. Engage spotting scopes are manufactured and tested to withstand water exposure to IPX7 standards (submersible to a depth of 1 meter for up to 30 minutes). Fogproof protection is achieved from dry Engagegen purging that removes all internal air, which can retain moisture.

All exterior lens surfaces have our new EXO Barrier™ coating (in addition to full multi-coating). EXO Barrier, quite simply, is the best protective lens coating technology Bushnell has ever developed. Added at the end of the coating process, EXO Barrier molecularly bonds to the lens and fills the microscopic pores in the glass. The result is an ultra-slick coating that repels water, oil, fog, dust and debris - rain, snow, fingerprints and dirt will not stick. EXO Barrier is built to last: the bonded coating will not fade with the passage of time or normal wear and tear.

CLEANING AND GENERAL CARE

The lenses of your Bushnell Engage spotting scope are fully multi-coated for highest light transmission. As with any multi-coated optics, special care must be taken in cleaning the lenses. Follow these tips for proper lens cleaning:

- Blow away any dust or debris on the lens (or use a soft lens brush).
- To remove dirt or finger prints, clean with the supplied micro-fiber cloth rubbing in a circular motion. Use of a coarse cloth or unnecessary rubbing may scratch the lens surface and eventually cause permanent damage. The included washable microfiber cleaning cloth is ideal for the routine cleaning of your optics. Simply breathe lightly on the lens to provide a slight amount of moisture, then gently rub the lens with the microfiber cloth.
- For a more thorough cleaning, photographic lens tissue and photographic-type lens cleaning fluid or isopropyl alcohol may be used. Always apply the fluid to the cleaning cloth - never directly on the lens.

Never disassemble your spotting scope. Irreparable damage can result from unauthorized service attempts, which also void the warranty.

Technical Specifications

SKU	Magnification Range	Objective Diameter	Eyepiece	Field of view ft@1000 yds / m@1000 m	Exit Pupil (mm) @Lo x/Hi x	Eye Relief (mm)	Length (in/mm)	Weight (oz/g)
SENDX2680A	20x-60x	80 MM	Angled	98 ft /32.7m @20x 50 ft/16.7m @60x	3.6/1.2	18	15.4/390	60/ 1700



Архангельск (8182)63-90-72
Астана (7172)727-132
Астрахань (8512)99-46-04
Барнаул (3852)73-04-60
Белгород (4722)40-23-64
Брянск (4832)59-03-52
Владивосток (423)249-28-31
Волгоград (844)278-03-48
Вологда (8172)26-41-59
Воронеж (473)204-51-73
Екатеринбург (343)384-55-89
Иваново (4932)77-34-06

Ижевск (3412)26-03-58
Иркутск (395)279-98-46
Казань (843)206-01-48
Калининград (4012)72-03-81
Калуга (4842)92-23-67
Кемерово (3842)65-04-62
Киров (8332)68-02-04
Краснодар (861)203-40-90
Красноярск (391)204-63-61
Курск (4712)77-13-04
Липецк (4742)52-20-81
Киргизия (996)312-96-26-47

Магнитогорск (3519)55-03-13
Москва (495)268-04-70
Мурманск (8152)59-64-93
Набережные Челны (8552)20-53-41
Нижний Новгород (831)429-08-12
Новокузнецк (3843)20-46-81
Новосибирск (383)227-86-73
Омск (3812)21-46-40
Орел (4862)44-53-42
Оренбург (3532)37-68-04
Пенза (8412)22-31-16
Россия (495)268-04-70

Пермь (342)205-81-47
Ростов-на-Дону (863)308-18-15
Рязань (4912)46-61-64
Самара (846)206-03-16
Санкт-Петербург (812)309-46-40
Саратов (845)249-38-78
Севастополь (8692)22-31-93
Симферополь (3652)67-13-56
Смоленск (4812)29-41-54
Сочи (862)225-72-31
Ставрополь (8652)20-65-13
Казахстан (772)734-952-31

Сургут (3462)77-98-35
Тверь (4822)63-31-35
Томск (3822)98-41-53
Тула (4872)74-02-29
Тюмень (3452)66-21-18
Ульяновск (8422)24-23-59
Уфа (347)229-48-12
Хабаровск (4212)92-98-04
Челябинск (351)202-03-61
Череповец (8202)49-02-64
Ярославль (4852)69-52-93

<https://bushnell.nt-rt.ru> || bhv@nt-rt.ru